



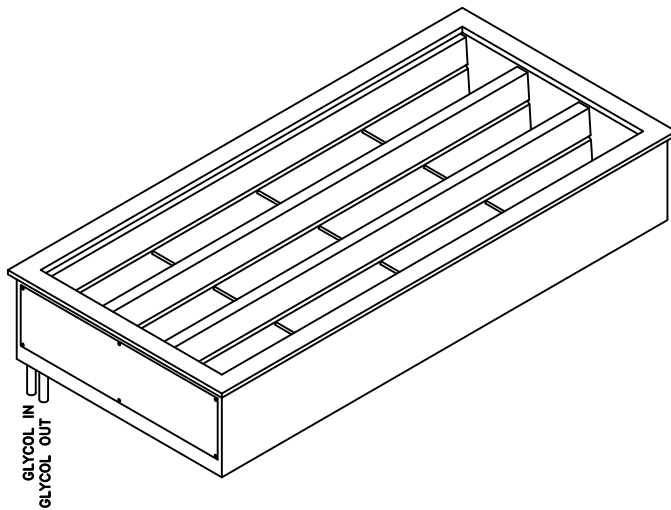
PROJECT: _____

ITEM: _____

QTY: _____

REMOTE GLYCOL PAN CHILLER (THREE ROW PAN SET-UP)

- CPG3-6-DI GLYCOL REMOTE REFRIGERATION
- CPG3-12-DI GLYCOL REMOTE REFRIGERATION
- CPG3-18-DI GLYCOL REMOTE REFRIGERATION
- CPG3-24-DI GLYCOL REMOTE REFRIGERATION



	MODEL 3-PAN ROW SET-UP	QUANTITY 1/6th PANS
	CPG3-6-DI	6
	CPG3-12-DI	12
	CPG3-18-DI	18
	CPG3-24-DI	24

CHILL SYSTEM: GLYCOL

MODEL #CPG3-24-DI (three row pan set-up)
OPTION: 1" DRAIN

SPECIFICATIONS:

Drop-in, remote, cold food well unit (glycol chilled), compliant to NSF-7.
 All stainless steel construction at exposed food zone area of the drop-in unit.
 Unit to accommodate 1/9th, 1/6th and 1/3rd x 6" dp. hotel pans only (three row pan set-up).

FEATURES:

- Drop-in design (9-1/2" minimum depth clearance requirement).
- Refrigerated cold pan designed to hold pre-chilled food product at serving temperature.
- Cold pan's temperature regulated by balancing valve- adjustments done on field for optimum usage.
- Easy access to underside of unit for servicing.
- Stainless steel pan construction with stainless steel glycol railing, foamed in poly-urethane and corrosive resistant steel outer jacket construction (unexposed).

FACTORY ACCESSORIES:

Chiller Includes: 3/4" glycol supply and return line connections, each with isolation ball valve, and balancing valve mounted on return line. (All valves shipped loose for field connections by others)

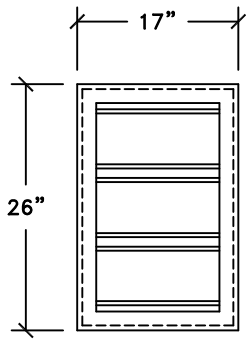
Options Include: * 1" drain (mounted at bottom center of cold pan).
Please specify on purchase order if required.



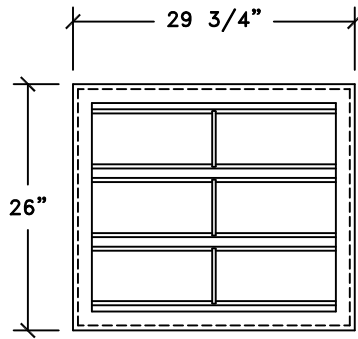
1250 E. FRANKLIN AVE. UNIT B, POMONA, CA 91766 * T: 909-865-2229 * F: 909-868-0777
 sales@cooltecrefrigeration.com * www.cooltecrefrigeration.com

COOLTEC

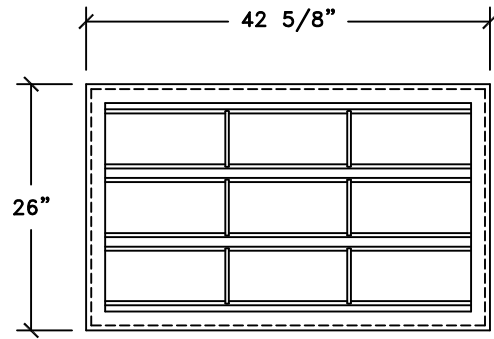
REMOTE GLYCOL PAN CHILLER (THREE ROW PAN SET-UP)



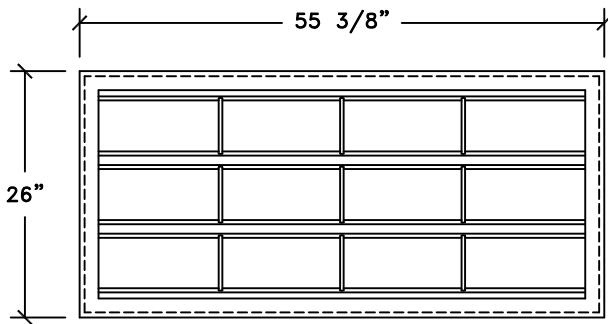
CPG3-6-DI



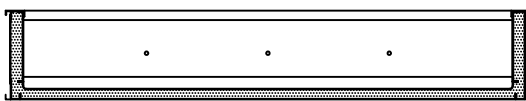
CPG3-12-DI



CPG3-18-DI

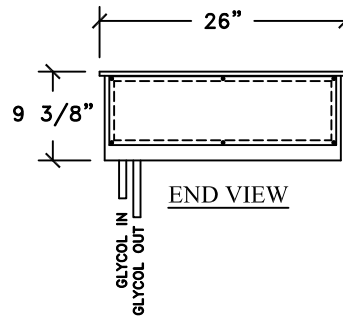


PLAN VIEW



ELEVATION VIEW

CPG3-24-DI



END VIEW

MODEL	REFRIGERATION		NO. OF PANS 1/6th SIZE PANS 6"x6"x6" DP.	OVER-ALL LENGTH	OVER-ALL WIDTH	OVER-ALL DEPTH	CUT-OUT IN COUNTER TOP	WEIGHT LBS
	BTU RATING	GPM RATING						
CPG3-6-DI	800	.55	6	17"	26"	9 3/8"	25.25" x 16.125"	150
CPG3-12-DI	1500	1.0	12	29 3/4"	26"	9 3/8"	25.25" x 29"	200
CPG3-18-DI	2250	1.55	18	42 5/8"	26"	9 3/8"	25.25" x 41.75"	250
CPG3-24-DI	3000	2.0	24	55 3/8"	26"	9 3/8"	25.25" x 54.625"	300

COOLTEC REFRIGERATION CORP.

1250 E. FRANKLIN AVE. UNIT B, POMONA, CA 91766

☼ T: 909-865-2229

☼ F: 909-868-0777

