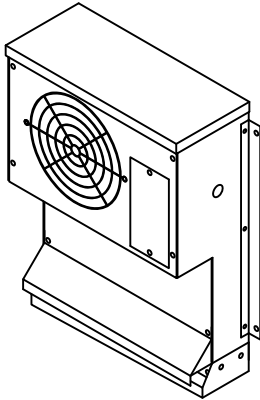


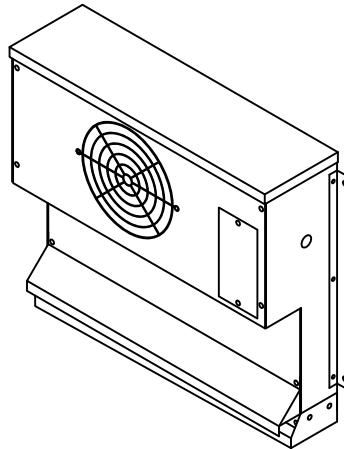
# COOLTEC

## R404A REFRIGERANT REACH-IN AND BACKBAR UNIT COOLERS WITH STAINLESS STEEL HOUSING

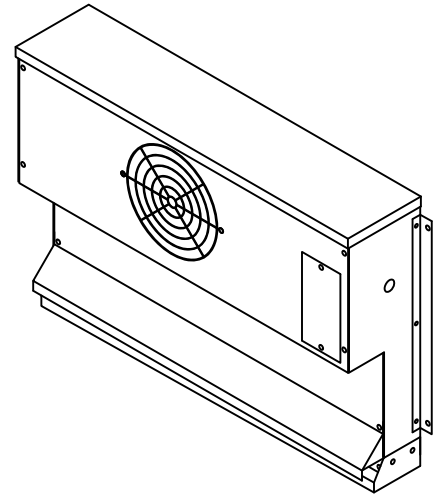
- GBC-10R 1000 BTU RATING
- GBC-17R 1700 BTU RATING
- GBC-22R 2200 BTU RATING



MODEL #GBC-10R  
1000 BTU RATING



MODEL #GBC-17R  
1700 BTU RATING



MODEL #GBC-22R  
2200 BTU RATING

### UNIT COOLER

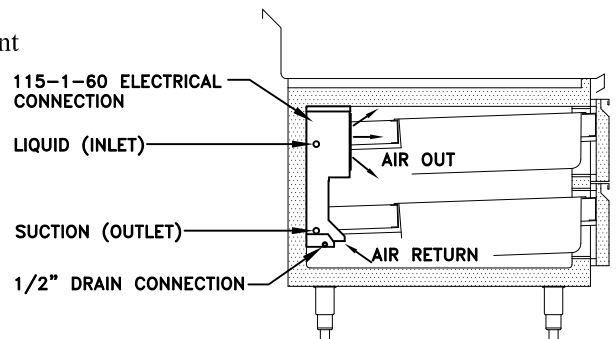
Unit Cooler are compact, wall mounted units with low height for under-counter fixtures with drawers and doors. This unit draws air from the bottom and discharges out from the front. The unit is designed for 35°F to 40°F fixture's interior temperature, and designed to operate at 10°F TD.

### FEATURES:

- Stainless Steel housing, standard for durability
- Molded fan motor- high efficiency, high CFM output and low amperage usage
- Chrome plated steel fan guard
- Stainless steel body
- Epoxy coated coil for acid protection.
- Coil has copper tubing with aluminum fins for efficient heat transfer
- Sweat type connections for field installations
- TX Valve mounted in the coil for R404A refrigerant

### OPTIONS:

- Digital controller mounted & wired at the coil
- Solenoid valve
- Isolation valve for In and Out



COIL MOUNTING DETAIL IN REFRIGERATED BASE

# COOLTEC REFRIGERATION CORP.

1250 E. FRANKLIN AVE. UNIT B, POMONA, CA 91766



T: 909-865-2229



F: 909-868-0777

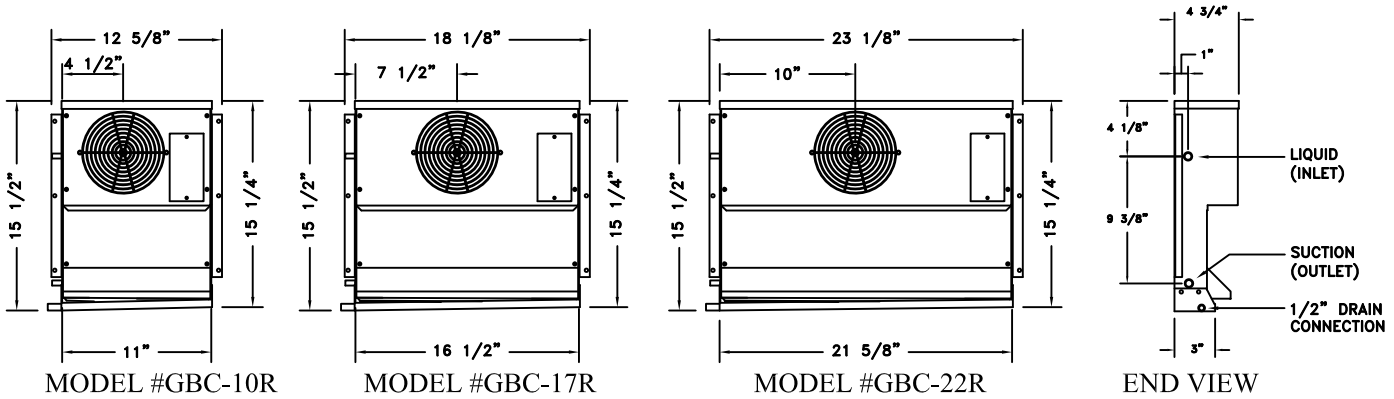
sales@cooltecrefrigeration.com



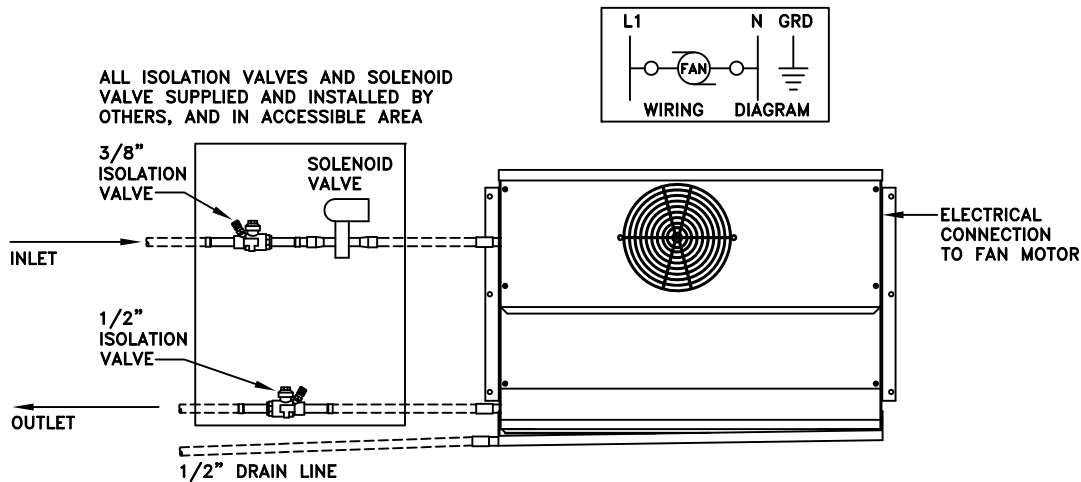
www.cooltecrefrigeration.com

# COOLTEC

## R404A REFRIGERANT UNIT COOLER



MODEL	BTU RATING	DIMENSIONS (IN INCHES)			VOLTAGE	AC FAN			WEIGHT LBS.
		LENGTH	WIDTH	HEIGHT		QTY.	AMPS	CFM	
GBC-10R	1000	12-5/8	4-3/4	15-1/2	115-1-60	1	.26	230	14
GBC-17R	1700	18-1/8	4-3/4	15-1/2	115-1-60	1	.25	294.2	17
GBC-22R	2200	23-1/8	4-3/4	15-1/2	115-1-60	1	.25	294.2	27



TYPICAL COIL MOUNT AND CONNECTIONS DETAIL

Cooltec Evaporative Coils gives the customer better quality for a reasonable price. You will find these coils in the food service arena of restaurants and hotels. All coils are fully pressure tested with nitrogen to ensure there is no leaks.

# COOLTEC REFRIGERATION CORP.

1250 E. FRANKLIN AVE. UNIT B, POMONA, CA 91766      \* T: 909-865-2229      \* F: 909-868-0777

sales@cooltecrefrigeration.com      \* www.cooltecrefrigeration.com