

# COOLTEC

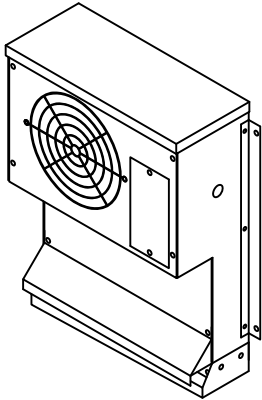
PROJECT: \_\_\_\_\_

ITEM: \_\_\_\_\_

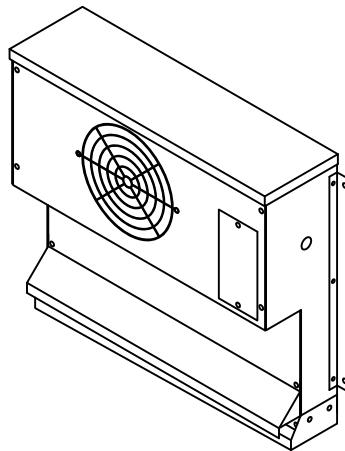
QTY: \_\_\_\_\_

## GLYCOL REACH-IN AND BACKBAR UNIT COOLERS WITH STAINLESS STEEL HOUSING

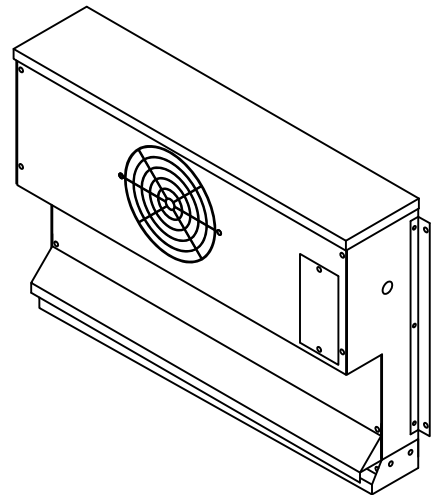
- GBC-10 1000 BTU RATING
- GBC-17 1700 BTU RATING
- GBC-22 2200 BTU RATING



MODEL #GBC-10  
1000 BTU RATING



MODEL #GBC-17  
1700 BTU RATING



MODEL #GBC-22  
2200 BTU RATING

### GLYCOL UNIT COOLER

Glycol Unit Cooler are compact, wall mounted units with low height for under-counter fixtures with drawers and doors. This unit draws air from the bottom and discharges out from the front. The unit is designed for 35°F to 40°F fixture's interior temperature, and designed to operate at 10°F TD.

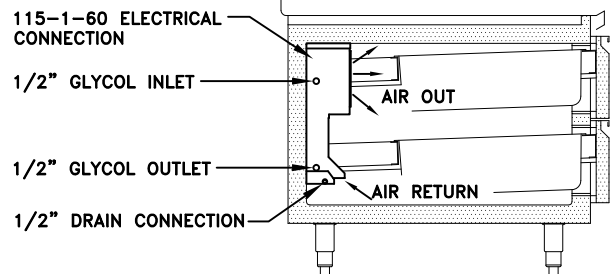
#### FEATURES:

- Stainless Steel housing, standard for durability
- Molded fan motor- high efficiency, high CFM output and low amperage usage
- Chrome plated steel fan guard
- Stainless steel body
- Epoxy coated coil for acid protection.
- Coil has copper tubing with aluminum fins for efficient heat transfer
- Sweat type connections for field installations

**GLYCOL**  
CHILL SYSTEM

#### OPTIONS:

- Digital controller mounted & wired at the coil
- Balancing valve
- Solenoid valve
- Isolation valve for In and Out glycol



COIL MOUNTING DETAIL IN REFRIGERATED BASE

# COOLTEC REFRIGERATION CORP.

1250 E. FRANKLIN AVE. UNIT B, POMONA, CA 91766



T: 909-865-2229



F: 909-868-0777

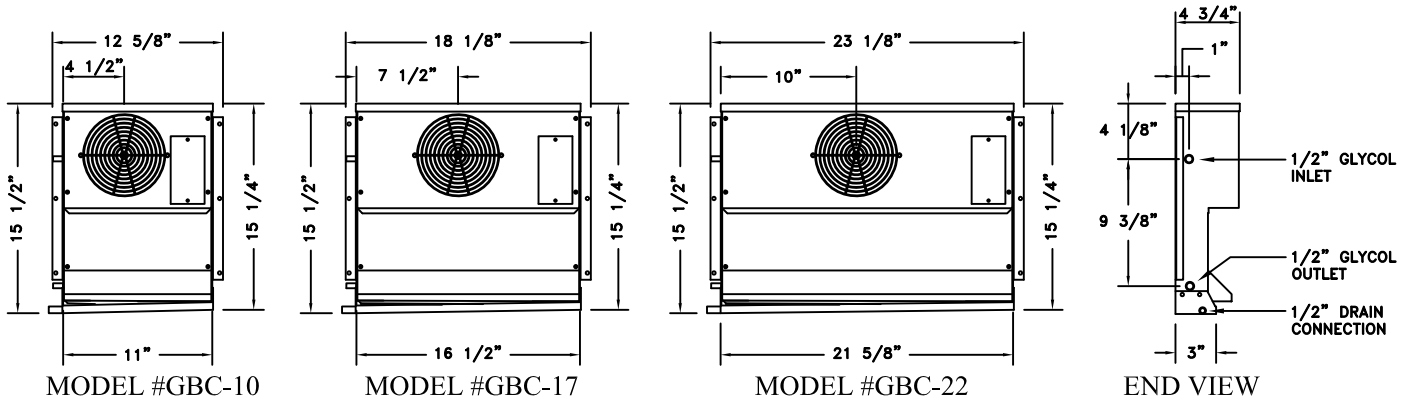
sales@cooltecrefrigeration.com



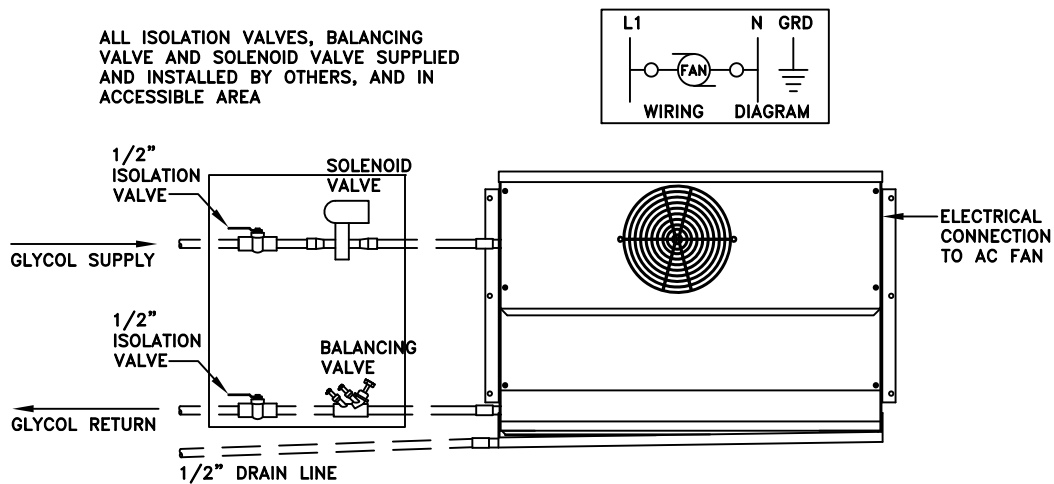
www.cooltecrefrigeration.com

# COOLTEC

## GLYCOL UNIT COOLER



MODEL	BTU RATING	GPM RATING	DIMENSIONS (IN INCHES)			VOLTAGE	AC FAN			WEIGHT LBS.
			LENGTH	WIDTH	HEIGHT		QTY.	AMPS	CFM	
GBC-10	1000	0.4	12-5/8	4-3/4	15-1/2	115-1-60	1	.26	230	14
GBC-17	1700	0.6	18-1/8	4-3/4	15-1/2	115-1-60	1	.25	294.2	17
GBC-22	2200	0.8	23-1/8	4-3/4	15-1/2	115-1-60	1	.25	294.2	27



TYPICAL COIL MOUNT AND CONNECTIONS DETAIL

Cooltec Glycol Coils gives the customer better quality for a reasonable price. You will find these coils in the food service arena of restaurants and hotels. All Glycol Coils are fully pressure tested with nitrogen to ensure there is no leaks.

# COOLTEC REFRIGERATION CORP.

1250 E. FRANKLIN AVE. UNIT B, POMONA, CA 91766

☼ T: 909-865-2229

☼ F: 909-868-0777

sales@cooltecrefrigeration.com

☼ www.cooltecrefrigeration.com