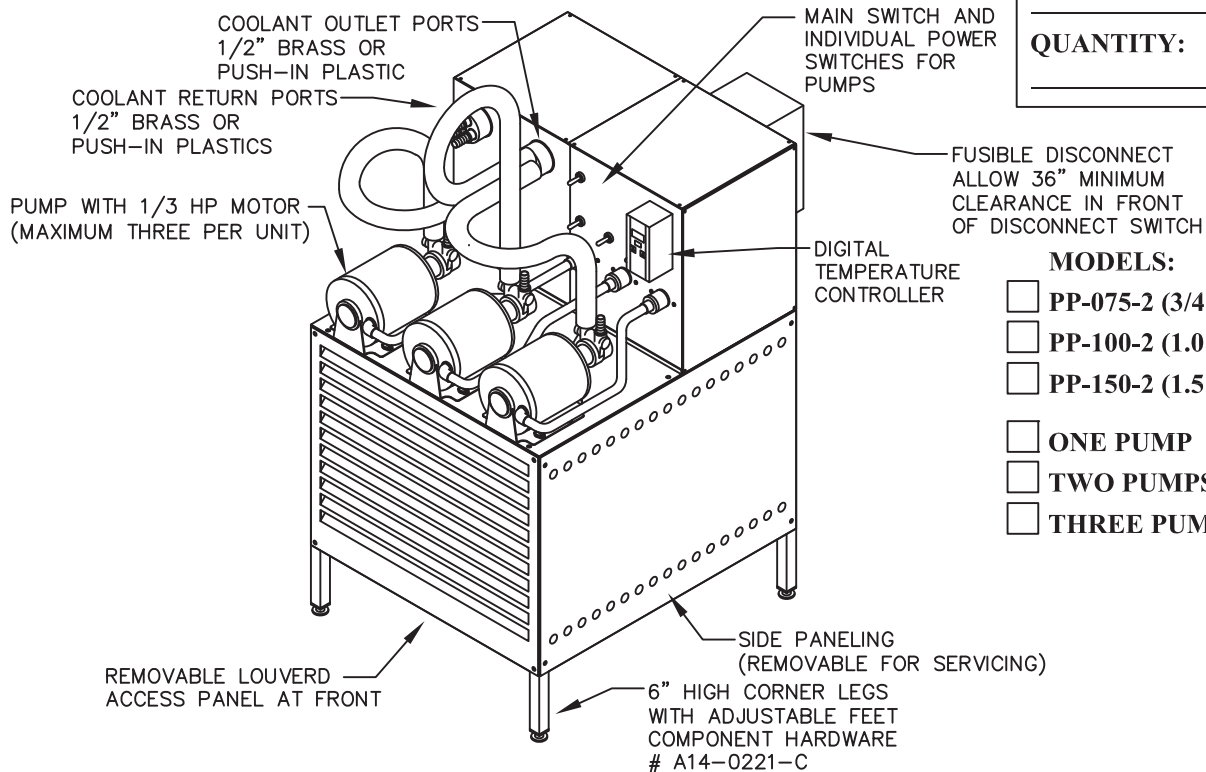


COOLTEC

"DRAFT BEER POWER-PAK" AIR COOLED UNIT FOR BEER COOLING SYSTEMS



ITEM NO:

PROJECT:

LOCATION:

QUANTITY:

MODELS:

- PP-075-2 (3/4 HP) SERIES
- PP-100-2 (1.0 HP) SERIES
- PP-150-2 (1.5 HP) SERIES

- ONE PUMP
- TWO PUMPS
- THREE PUMPS

The Glycol Beer Cooling System is a closed loop recirculation chiller system that delivers 28°F Glycol at any ambient temperature.

Because the "Power-Pak" uses mechanical refrigeration, a constant fluid rate, pressure and temperature are maintained regardless of ambient temperature. Operation at peak performance, the unit will be able to produce a better product with consistent quality at a higher production rate.

CAPACITY RANGE:

- FEATURES:** Low Profile Design * Available in Hermetic Scroll Compressors.
- * Economical to Install * With Stainless Protected Enclosure Housing.
 - * Adjustable electronic temperature control with digital read-out
 - * High efficiency compact heat exchanger to provide efficiency for longer beer line runs up to 900 feet.
 - * Top mounted, positive displacement rotary vane pump, with 1/3 HP ball bearing type motor assembly, each with power cord and twist-lok plug and each connected to toggle switch, for easy service. (Multiple up to three pumps per "Power-Pak" unit)
 - * Factory pre-mixed Glycol fluid.
 - * Standard 208 Volts, Single Phase, 60 Hertz Fusible Disconnect.

FACTORY INSTALLED ACCESSORIES:

Chiller Includes: Condensing unit with pre-assembled liquid line drier and sight glass, pressure control, contactor, electronic temperature control with digital read-out, heat exchanger, TX valve, and Glycol tank.

Options Include: * 6" high legs can be removed, when specified on order, in order to meet height clearance in tight spaces. (New height at 35")
Add 'WOL' to end of model number (sample: PP-150-2/2-WOL).

COOLTEC REFRIGERATION CORP.

1250 E. FRANKLIN AVENUE, POMONA, CA 91766 * T: 909-865-2229 * F: 909-868-0777

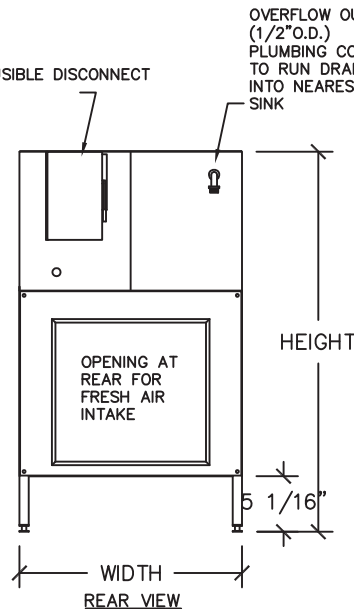
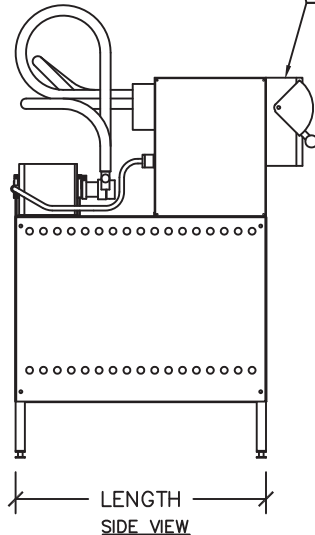
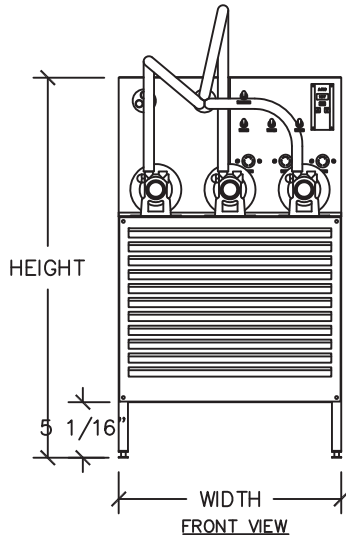
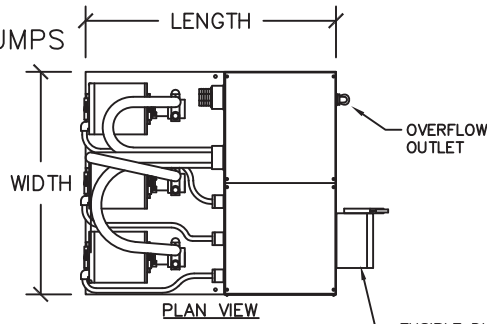
COOLTEC

"DRAFT BEER POWER-PAK" AIR COOLED UNIT FOR BEER COOLING SYSTEMS

MODEL NO.#	HP	QTY. OF PUMPS	CHILLER CAPACITY (MBH) @ 95°F	MAXIMUM LINE RUNS (FEET)
PP-075-2/1	3/4	1	8.1	300
PP-075-2/2	3/4	2	8.1	600
PP-075-2/3	3/4	3	8.1	900
PP-100-2/2	1.0	2	10.7	600
PP-100-2/3	1.0	3	10.7	900
PP-150-2/2	1.5	2	12.2	600
PP-150-2/3	1.5	3	12.2	900

1.5 HP
POWER-PAK
PP-150-2/3
NOMENCLATURE

208 VOLT
THREE PUMPS



OVERFLOW OUTLET (1/2" O.D.)
PLUMBING CONTRACTOR TO RUN DRAIN LINE INTO NEAREST FLOOR SINK

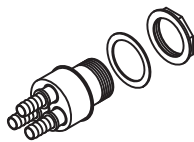
FLUID-PAK'S SPECIFICATIONS:

MODEL NO.# 208V-1PH-60HZ	HP	CHILLER CAPACITY (MBH) *	PUMP HP **	GLYCOL CONNECTION		DIMENSIONS			TOTAL SYSTEM AMPS 208-1-60			FUSIBLE DISCONNECT AMPS			SHIPPING	
				INLET	OUTLET	LENGTH	WIDTH	HEIGHT	1-PUMP	2-PUMPS	3-PUMPS	1 PUMP	2 PUMPS	3 PUMPS	WEIGHT	CUBIC FEET
PP-075-2	3/4	8.1	1/3	1/2"	1/2"	27"	24"	41"	11.7	14.4	17.1	20.0	20.0	30.0	260	27
PP-100-2	1.0	10.75	1/3	1/2"	1/2"	27"	24"	41"	---	12.7	15.4	---	20.0	30.0	270	27
PP-150-2	1.5	12.25	1/3	1/2"	1/2"	27"	24"	41"	---	15.3	18.0	---	30.0	30.0	280	27

* CHILLER CAPACITY AT 25°F SUCTION PRESSURE (1 MBH = 1000 BTU/HR)
** 208V CIRCULATING PUMP WILL DELIVER 100 GPH AT 130 PSIG.
EACH 208V PUMP RATED AT 2.7 AMPS

COOLANT OUTLET PORT MANIFOLD (1/2" Ø)

--- NOT AVAILABLE

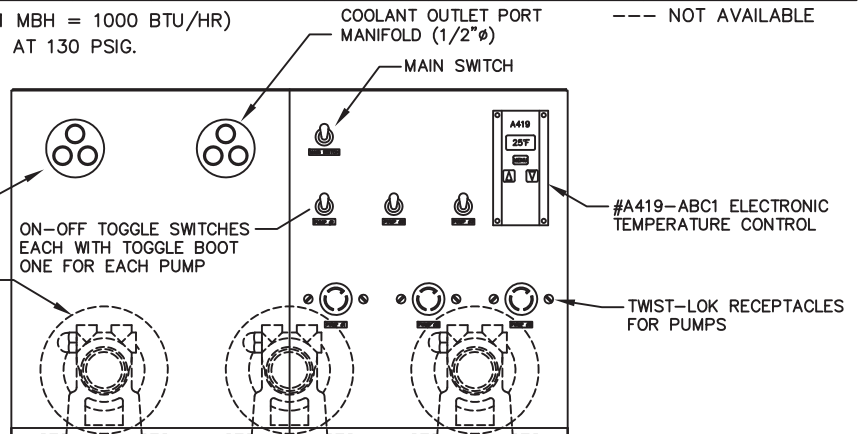


1/2" BRASS BARB FITTINGS (STANDARD AT ALL CHILLERS)
OPTIONAL 3/8" BRASS BARB FITTINGS ON REQUEST PER CUSTOMER'S ORDER

GLYCOL CONCENTRATION: (TYPICAL AT ALL UNITS)
35% DOWFROST DH
65% DISTILLED WATER

COOLANT RETURN PORT MANIFOLD (1/2" Ø)

PUMPS WITH MOTORS



PANEL SET-UP

COOLTEC REFRIGERATION CORP.

1250 E. FRANKLIN AVENUE, POMONA, CA 91766 * T: 909-865-2229 * F: 909-868-0777

E-MAIL: SALES@COOLTECREFRIGERATION.COM