

# COOLTEC

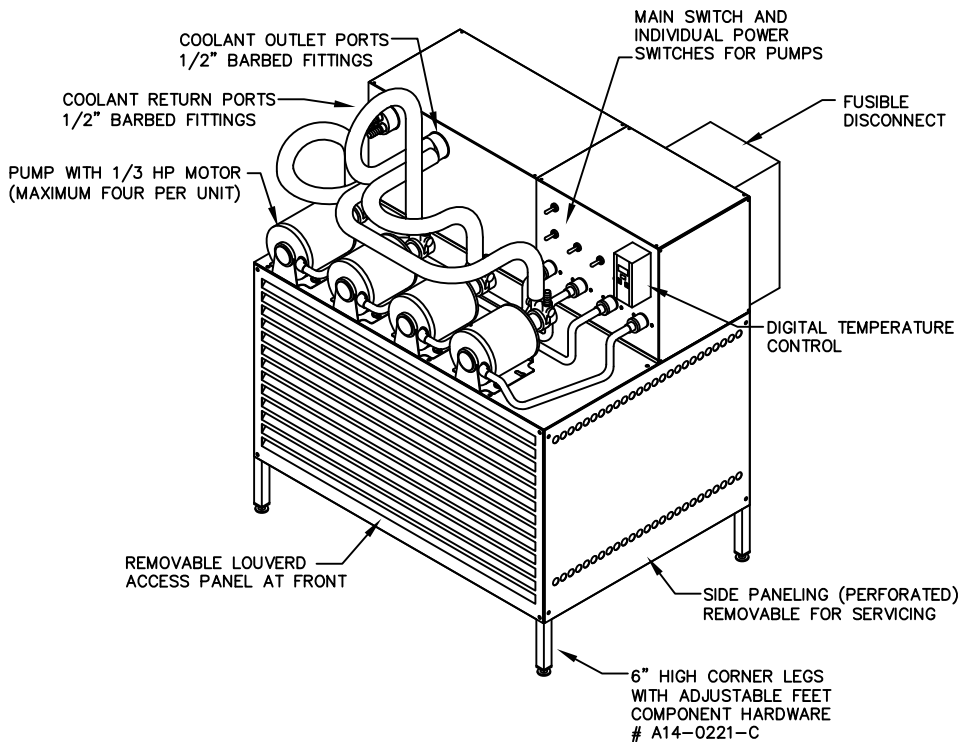
## "POWER-PAK" AIR COOLED UNIT FOR BEER COOLING SYSTEMS

ITEM NO:

PROJECT:

LOCATION:

QUANTITY:



### MODELS:

- PP-225 (2.25 HP) SERIES
- PP-300 (3.0 HP) SERIES
- PP-3.25 (3.25 HP) SERIES
- FOUR PUMPS

The Glycol Beer Cooling System is a closed loop recirculation chiller system that delivers 28°F Glycol at any ambient temperature.

Because the "Power-Pak" uses mechanical refrigeration, a constant fluid rate, pressure and temperature are maintained regardless of ambient temperature. Operation at peak performance, the unit will be able to produce a better product with consistent quality at a higher production rate.

### CAPACITY RANGE:

- FEATURES:**
- Low Profile Design \* Available in Hermetic Scroll Compressors.
  - \* Economical to Install \* With Stainless Protected Enclosure Housing.
  - \* Adjustable electronic temperature control with digital readout
  - \* High efficiency compact heat exchanger to provide efficiency for longer beer line runs up to 300 feet.
  - \* Top mounted, positive displacement rotary vane pump, with 1/3 HP ball bearing type motor assembly, each with power cord and twist-lok plug and each connected to toggle switch, for easy service.  
(Multiple up to three pumps per "Fluid-Pak" unit)
  - \* Factory pre-mixed Glycol fluid.
  - \* Available in 208 Volts, 3-Phase, 60 Hertz.

### FACTORY INSTALLED ACCESSORIES:

- Chiller Includes:** Condensing unit with pre-assembled liquid line drier and sight glass, pressure control, contactor, electronic temperature control with digital read-out, heat exchanger, TX valve, and Glycol tank.
- Options Include:**
- \* 6" high legs with adjustable feet for indoor installation on kitchen floor.
  - \* Fusible disconnect.

# COOLTEC REFRIGERATION CORP.

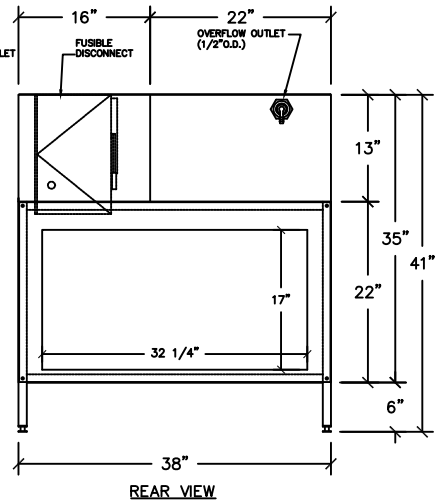
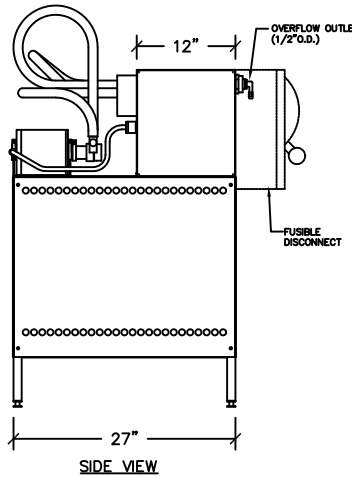
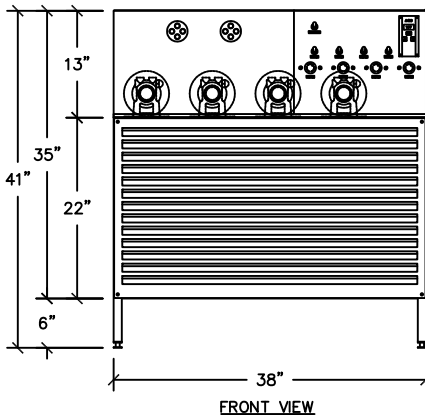
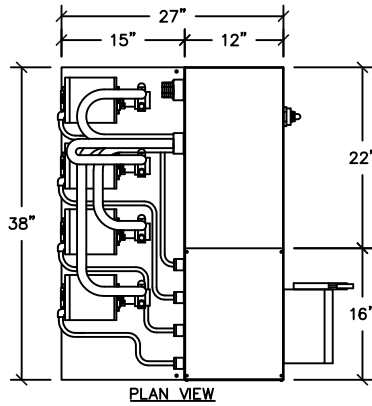
1250 E. FRANKLIN AVENUE, POMONA, CA 91766 \* T: 909-865-2229 \* F: 909-868-0777

E-MAIL: SALES@COOLTECREFRIGERATION.COM

# COOLTEC

## "POWER-PAK" AIR COOLED UNIT FOR BEER COOLING SYSTEMS

FLUID-PAK — 2.25 HP  
FP-225-4 — FOUR PUMPS  
NOMENCLATURE



### FLUID-PAK'S SPECIFICATIONS:

MODEL	HP	CHILLER CAPACITY (MBH) *	PUMP HP **	GLYCOL CONNECTION		DIMENSIONS			TOTAL SYSTEM AMPS 208-3-60	MAX. FUSE	SHIPPING	
				INLET	OUTLET	LENGTH	WIDTH	HEIGHT	4-PUMPS	AMPS	WEIGHT	CUBIC FEET
PP-225	2.25	17.75	1/3	3/8"	3/8"	27"	38"	41"	25.1	35	350	29
PP-300	3.0	20.2	1/3	3/8"	3/8"	27"	38"	41"	28.2	35	350	29
PP-350	3.5	27.35	1/3	3/8"	3/8"	27"	38"	41"	29.7	40	350	29

\* CHILLER CAPACITY AT 25°F SUCTION PRESSURE

\*\* CIRCULATING PUMP WILL DELIVER 100 GPH AT 130 PSIG.

EACH PUMP RATED 208-1-60, 2.7 AMPS

EACH PUMP RATED 208-1-60, 2.7 AMPS

COOLANT RETURN PORT MANIFOLD (1/2" I.D.)

COOLANT OUTLET PORT MANIFOLD (1/2" I.D.)

MAIN SWITCH

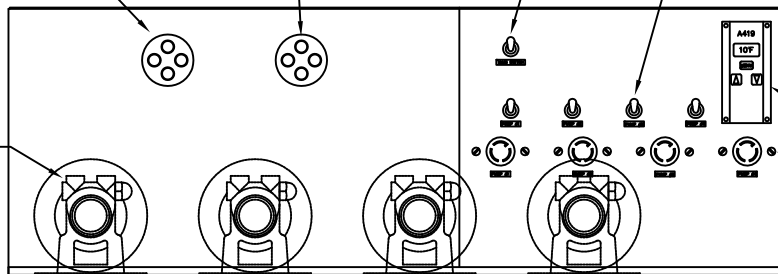
ON-OFF TOGGLE SWITCHES EACH WITH TOGGLE BOOT ONE FOR EACH PUMP

PUMPS WITH MOTORS

#A419-ABC1 ELECTRONIC TEMPERATURE CONTROL

TWIST-LOK RECEPTACLES FOR PUMPS

GLYCOL CONCENTRATION:  
(TYPICAL AT ALL UNITS)  
33% DOWFROST DH  
67% DISTILLED WATER



PANEL SET-UP

# COOLTEC REFRIGERATION CORP.

1250 E. FRANKLIN AVENUE, POMONA, CA 91766 \* T: 909-865-2229 \* F: 909-868-0777

E-MAIL: SALES@COOLTECREFRIGERATION.COM